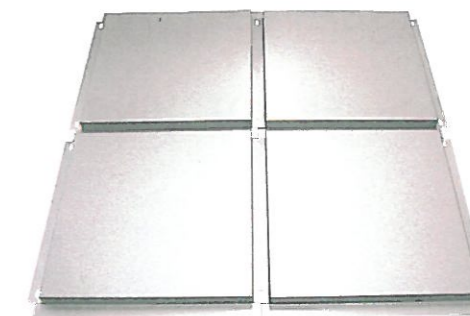


CASSETTE MACHINE AKK-26	
Max length of the cassette	2500 mm
Min length of the cassette	300 mm
Max width of the cassette	1200 mm
Min width of the cassette	300 mm
Max sheet thickness	1,50 mm

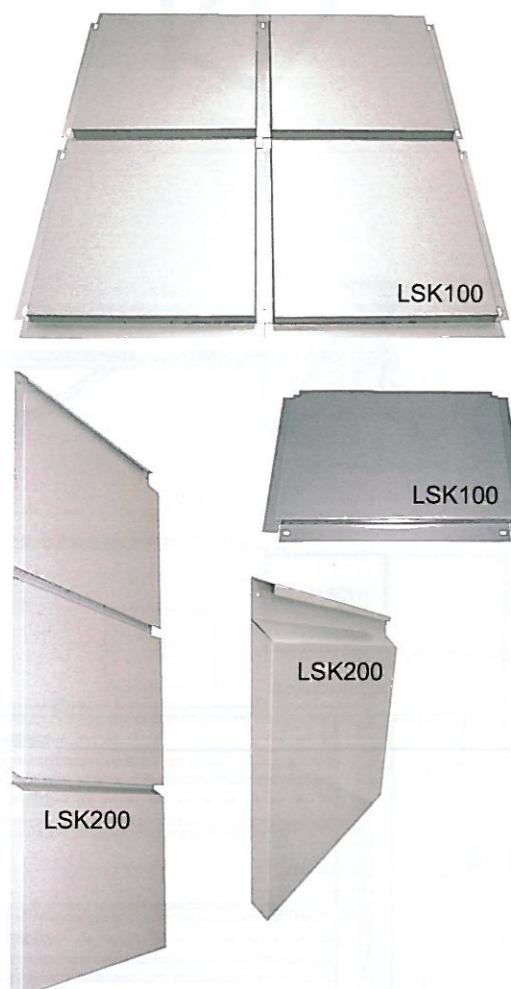
CASSETTE TYPES	
Cassette LSK100	20 mm
Cassette LSK100	30 mm
Cassette LSK200	25 mm

On Cassette LSK100 both foldings in one operation.

# SHEET METAL WORKING MACHINES FOR DEMANDING PROFESSIONAL USE



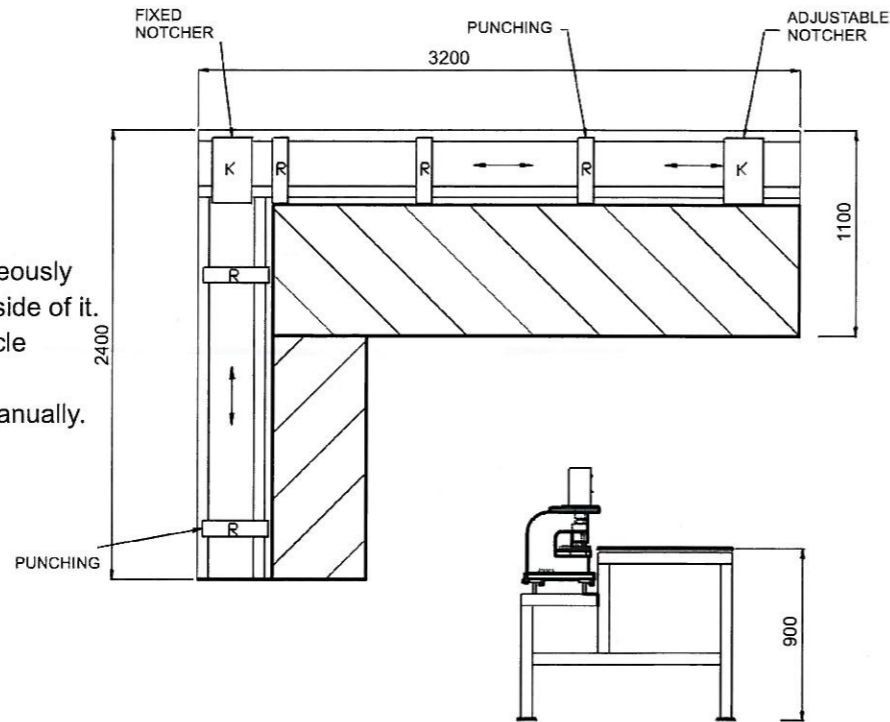
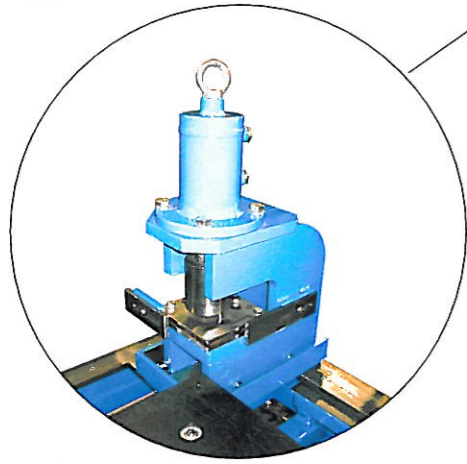
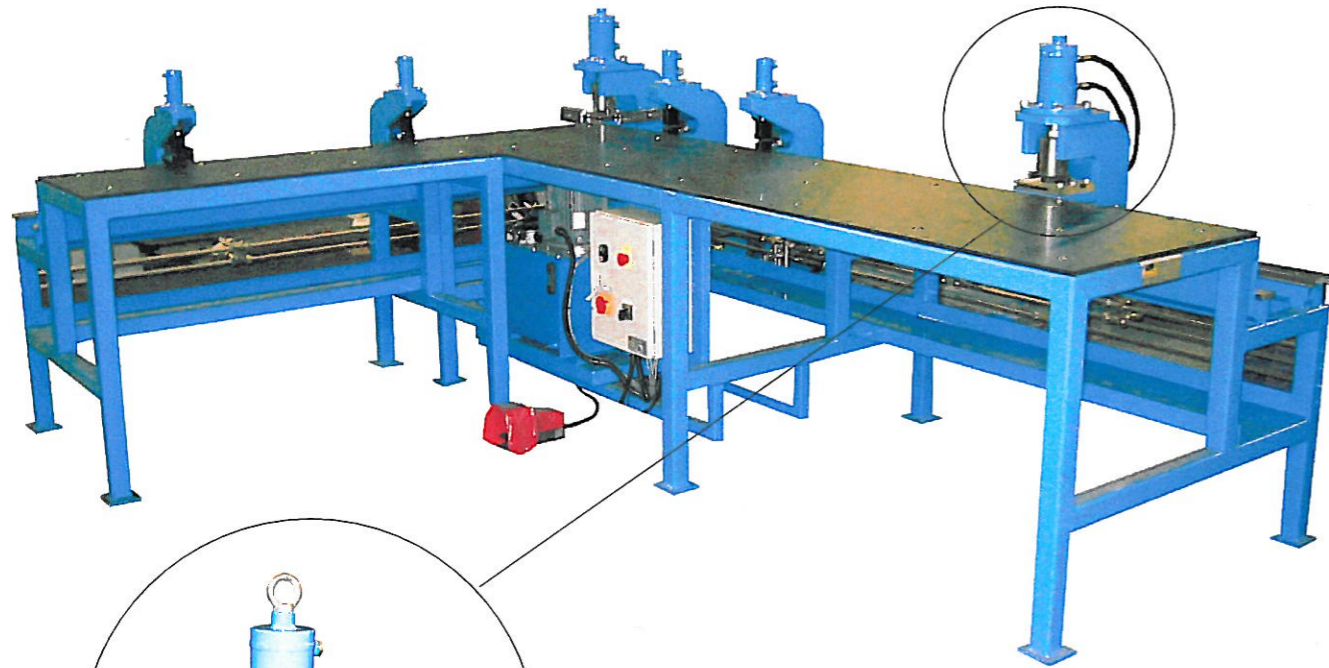
## CASSETTE MACHINE AKK-26



Pyhällöntie 6  
21430 Yliskulma, FINLAND  
tel: + 358 2 4899 700  
fax + 358 2 4899 710  
www.lsk-machine.fi  
e-mail: lsk@lsk-machine.fi



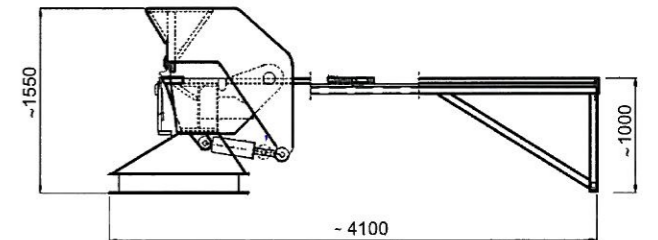
CASSETTE MACHINE AKK-26  
CORNER NOTCHING UNIT (KUKO)



CORNER NOTCHING UNIT

Two corners of the sheet are notched simultaneously with the perforation of one long and one short side of it. The machine is operated according to work cycle using a foot pedal. The backstops for the notching are adjusted manually. The work table has ball rollers for scratchfree handling of sheets. Motor 4 kW. Weight 1200 kgs.

CASSETTE MACHINE AKK-26  
FOLDING UNIT (AKK)



FOLDING UNIT

The hydraulic folder is fully CNC controlled including the fold positioning backstops and operated from the backside of the unit. Programme memory capacity 250 x 60 rows. The backstops go automatically down during sheet rotation to avoid scratching of sheets. Sectionalized blades for various cassette shapes. Motor 7,5 + 0,75 kW. Weight 5300 kgs.

